

# ***Brandt***

FR GUIDE D'INSTALLATION & D'UTILISATION  
EN USER MANUAL & INSTALLATION INSTRUCTIONS

## **FOUR A MICRO-ONDES MICROWAVE OVEN**



# **Brandt**

*Dear Customer,*

*You have just acquired a **BRANDT** microwave and we would like to thank you.*

*We have invested all our dedication and know-how in this appliance so that it would best meet your needs. With innovation and performance, we designed it to be always easy to use.*

*In the **BRANDT** product range, you will also find a wide choice of ovens, cooking hobs, ventilation hoods, cookers, dishwashers, washing machines, driers, fridges and freezers, that you can coordinate with your new **BRANDT** microwave.*

*As part of our commitment to constantly improving our products, we reserve the right to make changes to them based on technical advances to their technical and functional features and appearance.*

*Visit our website [www.brandt.com](http://www.brandt.com) where you will find all of our products, as well as useful and complementary information.*

## **BRANDT**



*Warning: Before installing and using your appliance, please carefully read this User Guide, which will allow you to quickly familiarise yourself with its operation.*

**1/ SAFETY INSTRUCTIONS**

- Safety instructions 03
- Wrongful use 08
- Environmental protection 09

**2/ INSTALLATION**

- Before the electrical connection 10
- Electrical connection 11
- Furniture dimensions 12
- Installation steps 13

**3/ ADVICE TO THE USER 14****4/ DESCRIPTION**

- Overview 15
- Control panel 16

**5/ USING THE APPLIANCE**

- Before getting started ... 17
- Microwave cooking 18
- Useful tips for quick programming 18
- Automatic programs 19
  - Defrosting by weight
  - Defrosting by time
  - AutoCooking
- Timer function 20
- Multi-sequence cooking 21
- Child lock 21

**6/ CARE AND CLEANING 22****7/ TROUBLESHOOTING GUIDE 23****8/ AFTER SALES SERVICE AND CUSTOMER RELATIONS 24**

IMPORTANT SAFETY INSTRUCTIONS - READ CAREFULLY AND RETAIN FOR FUTURE USE.

*This user guide is available for download on the brand's website.*

- This appliance is designed to be used for domestic and similar applications such as: Kitchen areas for the staff of shops, offices and other professional premises; farms. Use by clients of hotels, motels and other residential type establishments; guest house type environments.
- This appliance may be used by children aged 8 years and older, and by persons with impaired physical sensorial or mental capacities, or without experience or knowledge, if they are supervised or have received prior instructions on how to use the appliance safely and have understood the risks involved. Children must not be allowed to play with the appliance. Cleaning and maintenance operations must not be carried out by children without supervision.
- Children must be supervised to prevent them from playing with the appliance.
- It must be possible to disconnect the appliance from the power supply, either using a plug or by fitting a switch on the fixed wiring system in accordance with installation rules.
- The electrical plug must remain accessible after installation.
- If the power cable is damaged, it should be replaced by the manufacturer, its after-sales service department or by a similarly qualified person in order to avoid danger.
- Do not use a steam cleaner.
- This appliance is designed to cook with the door closed.
- Centre the oven in the unit so as to ensure a minimum distance of 10 mm between the appliance and the surrounding unit. The material of the unit supporting the appliance must be heat-resistant (or covered with a heat-resistant material). For greater stability, attach the oven to the unit with the screw through the hole provided in the bottom frame area



**Warning** : The appliance and the accessible parts of it will become hot during use. Be careful not to touch the heated elements. Children under the age of 8 years must not be allowed to touch the appliance, unless they are supervised continually.



**Warning** : If the door or door seal is damaged, the oven should not be used until it has been repaired by an authorized person.



**Warning** : It is dangerous for anyone other than a qualified person to perform maintenance or repairs that requires the removal of the cover providing protection against exposure to microwave power.



**Warning** : Liquids and other foods must not be heated in sealed containers, as they may explode.



**Warning** : Your product is designed exclusively for domestic use of cooking, reheating or defrosting food and beverages.

- Only use utensils suitable for usage in microwave ovens.
- While heating food items in plastic or paper containers, monitor the micro-wave's contents, since there is a risk of spontaneous combustion.
- If smoke appears, stop or unplug the oven and leave the door closed to smother any flames that may appear.
- Heating beverages in the microwave oven can cause the sudden and/or delayed splattering of boiling liquid, so care must be taken when handling their containers.
- The contents of baby bottles and baby food jars must be stirred or rearranged and the temperature must be checked before consumption, so as to prevent burning.
- It is not recommended to heat eggs in their shells or whole hardboiled eggs in a microwave oven, as they may explode, even after cooking has ended.
- It is recommended that you clean your oven regularly and to remove any food build-up.
- If the appliance is not cleaned regularly, its surface could become damaged, permanently affecting the appliance's lifespan and possibly causing a safety hazard.
- This appliance may be installed either in a wall unit or in a cabinet column, as indicated on the installation diagram.



**Important :** *Upon receipt, immediately unpack the product or have it unpacked. Check its overall aspect. Express potential reserves in writing on the delivery papers of which you keep a copy. Before the first use of the product, read this user guide carefully to get quickly familiar with its operation and use. Keep this user guide with the product. In case the product is sold or transferred to somebody, make sure that the User Guide goes with the product. For the safety of yourself and of other people, please read the below advice before installing and using your product.*

## **INSTALLATION**



**Important :** *The installation instructions provided with this appliance must be strictly respected.*

- The appliance must be built-in into a correctly vented furniture recess.
- Do not obstruct the venting areas of the appliance.
- The appliance must be connected to the electric power supply via a multipole circuit breaker with a pole contact distance of min 3 mm.

## **UTILISATION**



**Attention :** *Certain accessible areas of this appliance may become hot during operation.*

- Always wear gloves when removing food or dishes from the appliance.
- Do not use metallic food containers. Remove metallic wires and / or handles from bags and containers
- Do not use aluminium foil with food in the appliance. Do not cover the appliance with aluminium foil.
- Wrongful use of accessories or utensils may lead to danger and/or injury.
- This appliance is not designed to dry food or cloth, to heat up, heating pillows / shoes / sponges / humid clothes or any other articles. Non-respect of this instruction may lead to injury, inflammation or fire.
- Do not use the cavity as a stowage area. Do not store bread, biscuits or similar food in the cavity.

## **CARE AND CLEANING**



**Warning** : The appliance generates microwave energy and contains a high-voltage circuit. **It is dangerous for anybody else than a competent person to repair or to remove the cover of the appliance. Removing the cover of the appliance may expose you to microwave energy or electric shock, even if the product is disconnected from mains supply, when being in contact with the high voltage circuit.**



**Warning** : Switch the appliance off and disconnect it before any cleaning or maintenance.



**Warning** : Check regularly the door area to make sure it is not deteriorated. If the door or its seals are deteriorated, the appliance must not be operated until it has been repaired by a competent person.

- Cleaning and maintenance operations must not be carried out by children without supervision.
- Clean the appliance regularly and remove all food deposits.
- If the product is not maintained in a clean state, its surface may deteriorate and durably affect the lifetime and lead to a dangerous situation.
- Do not use abrasive cleaning products or metallic sponges to clean the glass door, this may deteriorate the surface and lead to destroying the glass.
- Never tear the power cord. Unplug it while holding the plug.  
To change the bulb of the microwave oven, get in contact with a specialized technician.



**Warning :**

***If the power cord is deteriorated, it must be replaced by the manufacturer, his after sales organization or a similarly qualified person to avoid any danger.***

## **WRONGFUL USE**

The manufacturer rejects any responsibility in case of wrogfnful use. Use this appliance only for the usage described in this manual and accordingly the provided advice.

## **ENVIRONMENTAL PROTECTION**

This appliance's packing materials are recyclable. Recycle them and play a role in protecting the environment by disposing of them in municipal containers provided for this purpose.



Your appliance also contains various recyclable materials. Thus it is stamped with this logo to indicate to you that used appliances should not be mixed with other waste.

The recycling of appliances organised by your manufacturer will take place under the best conditions, in compliance with European directive 2002/96/CE concerning electrical and electronic equipment waste. Consult your city hall or your retailer to find the drop-off points for used appliances that is nearest to your home. We thank you for your help in protecting the environment.



## **BEFORE ELECTRICAL CONNECTION**



**Warning**: Ensure that your appliance has not suffered any damage during transport (deformed seal or door, etc...). If you see any kind of damage, before doing anything else, contact your retailer.

If the power cable is damaged, it should be replaced by the manufacturer, its after-sales service department or by a qualified person to avoid danger.

Ensure that:

- The electrical installation has sufficient voltage.
- The electrical wires are in good condition.
- The diameter of the wires complies with the installation requirements.
- Your electrical installation is equipped with 10-ampere thermal-sensitive protection.

In case of doubt, consult your electrician installer.



**Important**: In the case of connections with an electric receptacle, it must remain accessible after installation of the appliance. The oven's neutral conductor (blue wire) must be connected to the network's neutral conductor. In your electrical installation, allow for a user-accessible device that must be able to separate the appliance from the main power supply and whose contact opening is at least 3 mm above all the terminals.

## **ELECTRICAL CONNECTION**



**Important** : Electrical safety must be provided by a correct build-in. During installation and maintenance operations, the appliance must be unplugged from the electrical grid; fuses must be cut off or removed..

The electrical connections are made before the appliance is installed in its housing.

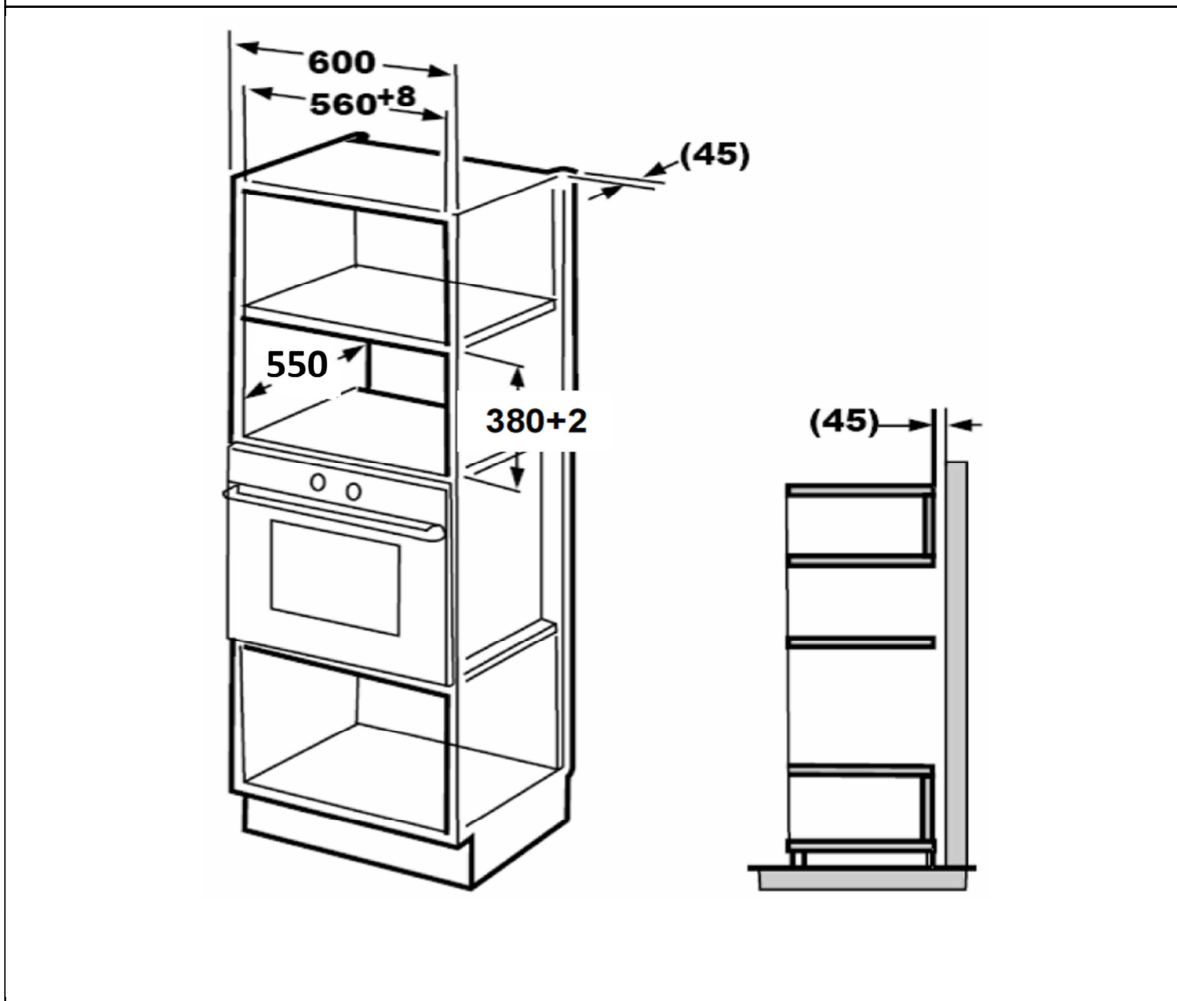
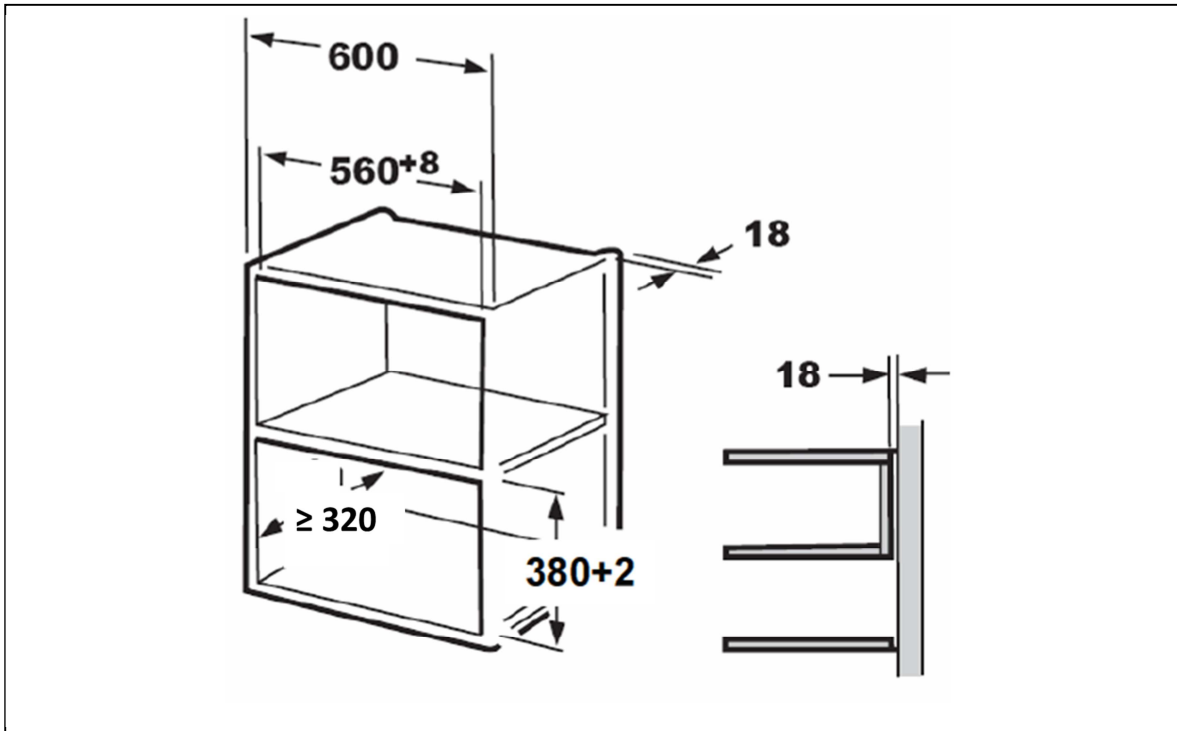
The oven must be connected with a power cable (standardized) with three 1.5 mm<sup>2</sup> conductors **H05RN-F 3G** de 1 mm<sup>2</sup> (1 ph + 1 N + ground) that must be connected to a monophasic 220-240 V network via an IEC 60083 standardized receptacle (1 ph + 1 N + ground lead) or in accordance with installation rules. The safety wire (green-yellow) is connected to the appliance's terminal and must be connected to the ground lead of the electrical set-up.

Do not use your appliance immediately (wait approximately 1 to 2 hours) after having moved from a cold location to a hot location because the condensation may cause a malfunction.

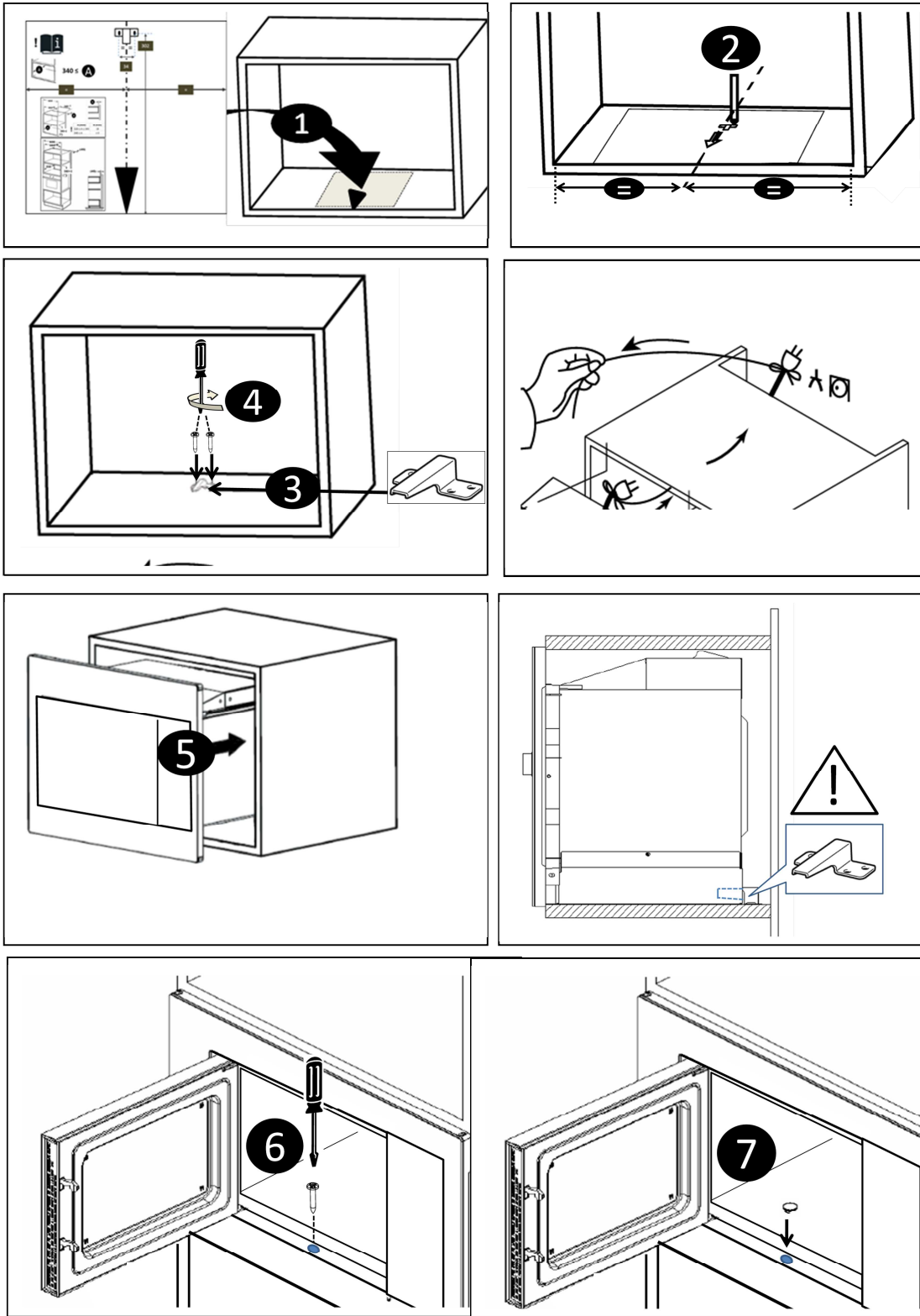


**Important** : We cannot be held responsible for any accident resulting from an inexistent, defective or incorrect ground lead.

*Furniture dimensions*



Installation steps :



Ensure that the cookware is suitable for use in a microwave oven.

To avoid damaging your appliance, never operate it while empty or without the turntable.

Do not interfere with the openings on the lock on the front of the appliance; this could cause damage to your appliance that would require a service call.

While heating food items in plastic or paper containers, monitor the microwave's contents for there is a risk of spontaneous combustion.

For the microwave heating functions, the use of metallic cookware, forks, spoons, knives or metal staples or fasteners for frozen foods is not recommended.

The contents of baby bottles and baby food jars should be shaken or stirred and their temperature checked before consumption to avoid burns. Never heat a baby bottle with the nipple on (risk of explosion).

Make sure children do not play with the appliance. Do not allow children to use the microwave oven without supervision, unless appropriate instructions have been given so that the child can use the oven safely and understands the dangers of incorrect operation.

Always use oven mitts to remove dishes from the oven. Some dishes absorb the heat of foods and, therefore, are very hot.

Liquids and other foods should not be heated in sealed containers because they may explode.

It is recommended that you avoid heating eggs in their shells and whole hard-boiled eggs in the microwave oven because they run the risk of explosion, even after cooking is complete.

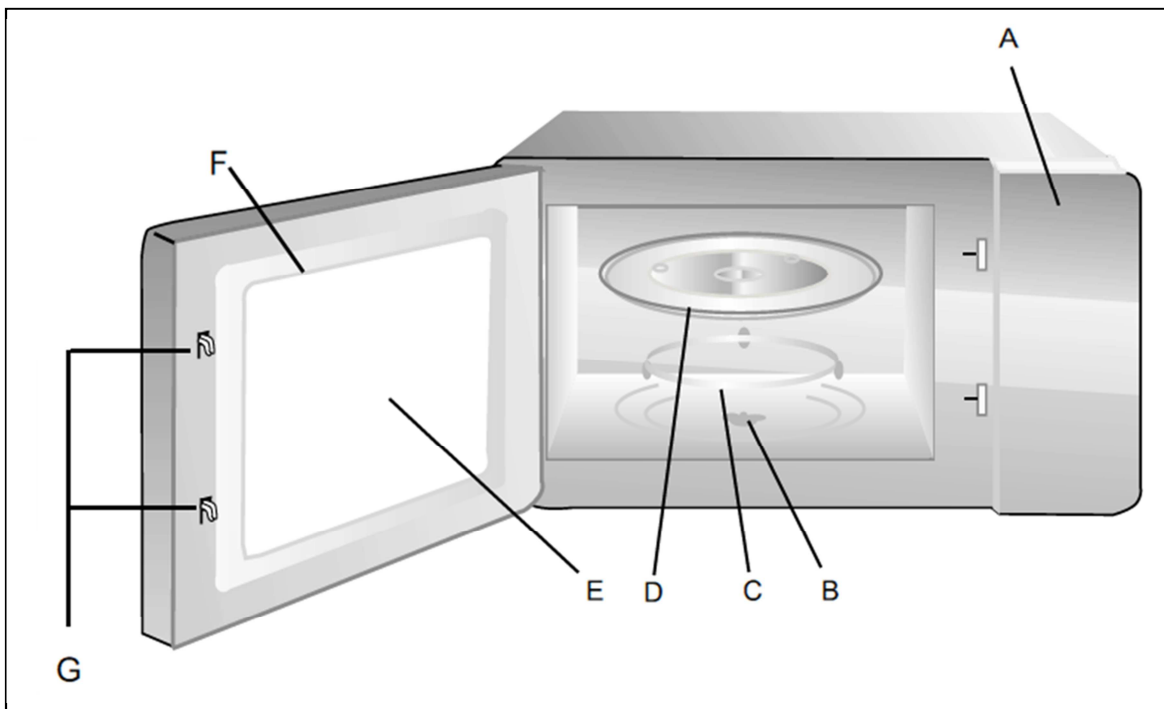
Heating beverages in the microwave oven can cause sudden and/or delayed splattering of boiling liquid, so precautions must be taken when handling their containers.

In the case of small quantities (a sausage, a croissant, etc.), place a glass of water next to the food.

Excessive cooking times may dry out foods and carbonise them. To avoid such incidents, never use the same times recommended for cooking in a traditional oven.

If smoke appears, stop or unplug the oven and leave the door closed to smother any flames that may appear.

## OVERVIEW



- A- Control Panel
- B- Turntable drive

Do not attempt to rotate it manually; you risk damaging the drive system. In case of bad rotation, make sure there are no food deposits under the turntable.

- C- Turntable roller ring
- D- Turntable

Enables even cooking of foods with no handling. It rotates indiscriminately in both directions. If it is not rotating, ensure that all the components are properly positioned.

Never operate the appliance without turntable drive / roller ring / turntable.

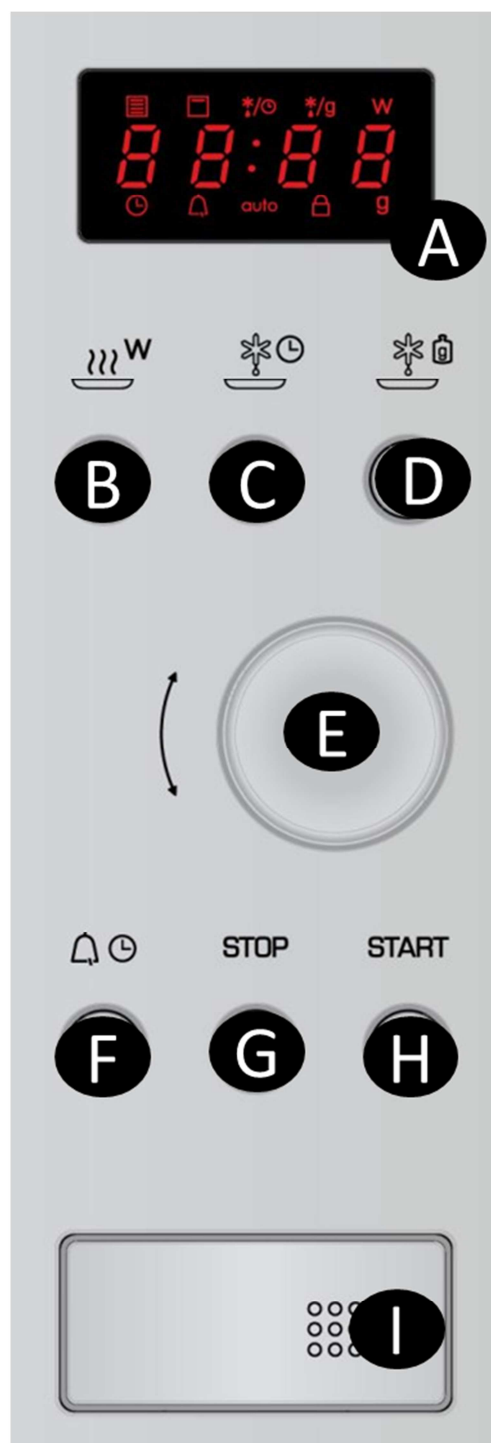
- E- Viewing window
- F- Door
- G- Door lock system

**CONTROL PANEL****A Display :**

Eases programming by indicating functions, time or weight, and daytime.

**B MW power key****C Defrost by time key****D Defrost by weight key****E Data knob****F Timer / Clock****G Stop/Clear****H Start****I Door opening button :**

Pressing this button opens the door and interrupts the cooking process.



**BEFORE GETTING STARTED ...**

- The appliance emits an acoustic signal when
  - rotating the data knob
  - pressing the keys
  - the cooking process is finished
- Opening the door interrupts the cooking process. To restart it, press **START**.
- If a programming is not finished and without action on control elements during one minute, the programming is cancelled and the appliance returns to displaying the daytime.

**SETTING THE CLOCK**

Before using the appliance, you must set the clock..

After connecting the appliance, « 0 :00 » shows in the display and an acoustic signal is emitted.

- Press the **Clock/Timer** key twice. The hour digits blink in the display.
- Set the hours from 0 to 23 with the **Data** knob
- Confirm by pressing the **Clock/Timer** key. The minute digits blink in the display.
- Set the minutes from 0 to 59 with the **Data** knob.
- Confirm by pressing the **Clock/Timer** key.

The clock is now set, the two points between hours and minutes are blinking.



## MICROWAVE COOKING

Press the **Microwave power** key. The maximum power level (= 100%) shows in the display : P100. For lower power levels, press the **Microwave power** key until the required power level is reached. The display shows the selected power level:

Display	P100	P80	P50	P30	P10
Power level	Max	~ 650 W	~ 400 W	~ 250 W	~ 80 W

Set the cooking time (from 5 sec to max. 95 min) with the **Data** knob. The cooking time is incremented

Between 0 and 1 min	in steps of	5 seconds
Between 1 and 5 min	in steps of	10 seconds
Between 5 and 10 min	in steps of	30 seconds
Between 10 and 30 min	in steps of	1 minute
Between 30 and 95 min	in steps of	5 minutes

Start cooking by pressing the **Start** key.

## USEFUL TIPS FOR QUICK PROGRAMMING

The appliance offers several smart functions for quick programming.

- Direct start (display must be in “daytime” mode)

One press on the **Start** key immediately starts a cooking process MAX power (100%, display P100) with a duration of 30 sec.

Successively pressing the **Start** key increases the cooking time each time by + 30 sec. The maximum duration is 95 minutes.

- Increasing the cooking time

During a microwave cooking or a defrosting by time process, the cooking time can be increased by successively pressing the **Start** key.

Each press adds 30 sec to the cooking time.

The maximum duration is 95 minutes. This function is not available in *AutoCook* and *Defrost by weight* processes.

- Quick programming (display must be in “daytime” mode)

Set the cooking time by turning the **Data** knob anti clockwise.

Press the **Start** key. The cooking process starts with MAX power (100%, P100) and the selected cooking time.

## ***AUTOMATIC PROGRAMS***

The appliance contains programs for automatic defrosting and cooking.

- Defrosting by Weight **dEF1**: the defrosting time is calculated automatically through the programmed food weight. Food weight is programmable between 100 and 2000 g.
- Defrosting by time **dEF2**: you set the required defrosting time. The maximum duration is 95 minutes.

To access these functions, the display must be in “daytime” mode.

### ***DEFROSTING BY WEIGHT***

To access this function, press the **Defrost by weight** key.

- The display shows **dEF1**
- Select the food weight with the **Data** knob. The weight can be programmed between 100 and 2000 g.
- Press the **Start** key. The defrosting-by-weight process starts, the remaining time counts down in the display.

### ***DEFROSTING BY WEIGHT***

To access this function, press the **Defrost by time** key twice

- The display shows **dEF2**
- Select the defrosting time with the **Data** knob. You can program a time up to 95 minutes.
- Press the **Start** key. The defrosting-by-time process starts, the remaining time counts down in the display.

## **AUTO COOK**

To access this function, select the program by turning the data knob clockwise. The display guides you through the programmes A-1 to A-6.

- Press the **Start** key to confirm the food category selection.
- Set the food weight with the **Data** knob.
- Press the **Start** key to start the Auto Cook process. The remaining time counts down in the display. An acoustic signal indicates the cooking end.

<b>AutoCook</b>	<b>Food category</b>	<b>Display</b>	<b>Remarks</b>
<b>A-1</b>	Beverages	1	Cup(s) of 120 ml
		2	Cup (s) of 240 ml
		3	Cup (s) of 360 ml
<b>A-2</b>	Soup	1	Portion(s) of 300 g
		2	Portion(s) of 600 g
		3	Portion(s) of 900 g
<b>A-3</b>	Vegetables	200	Displayed in g
		400	
		600	
<b>A-4</b>	Reheating fresh ready meals	300	Displayed in g
		500	
		600	
		1000	
<b>A-5</b>	Reheating frozen ready meals	300	Displayed in g
		400	
		500	
		600	
<b>A-6</b>	Fish	250	Displayed in g
		350	
		450	
		550	

## **TIMER FUNCTION**

The appliance contains a timer function of max 95 min. To access this function, the display must be in « daytime » mode.

- Press the **Clock / Timer** key
- Set the required duration with the **Data** knob.
- Press the **Start** key to start the countdown of the programmed duration.

## **MULTI-SEQUENCE COOKING**

The appliance allows programming two consecutively executed cooking sequences, e.g. a defrosting process followed by microwave cooking. The AutoCook function cannot be integrated into a multi-sequence.

Example : To set a multi-sequence of 5 min defrosting followed by 7 min microwave cooking at 80% power,

- Press the **Defrost by time** key twice
- The display shows **dEF2**.
- Set the required defrosting time (example : 5 min) with the **Data** knob.
- Press the **Microwave power** key.
- Set the microwave power with the **Data** knob to the required level (example: 80%, P80)
- Press the **Start** key to confirm the selected power.
- Set the required cooking time with the **Data** knob (example: 7 minutes)
- Press the **Start** key. The multi-sequence starts, the remaining time of each sequence counts down in the display.

At the end of the first sequence, an acoustic signal informs you that the second sequence starts.

## **CHILD LOCK (LOCKING THE CONTROL ELEMENTS)**

The appliance allows locking the control elements to avoid its unauthorized use.

To access this function, the display must be in « daytime » mode.

- Press the **Stop / Clear** key for 3 sec.
- An acoustic signal and the lock symbol in the display inform you that the access to the control elements is locked.

To cancel the child lock function, proceed in the same way:

- Press the **Stop / Clear** key for 3 sec.
- An acoustic signal and the extinguished lock symbol in the display inform you that the access to the control elements is available again.

**WARNING** : it is recommended to clean the appliance regularly and to remove any food deposit inside and outside the appliance.

To clean the appliance, use a humid sponge and soap.

In case the door or the door seal are damaged, the appliance must not be used until it was repaired by a competent person.

Do not use steam cleaners..

Do not use abrasive cleaning products, neither alcohol nor solvents. They are likely to deteriorate the appliance.

In case of smell or dirty cavity, bring a cup with water and lemon juice or vinegar to boiling in the cavity for 2 min, then clean the cavity walls with soft detergent.

The turntable can be removed for cleaning. If you remove the turntable drive, do not allow water to pour into the motor axis hole. ***Do not forget to put the turntable drive, roller ring and turntable back in place before using the appliance again.***

If you have a doubt about the operation of the appliance, this does not necessarily mean that there is a defect.

If the appliance was damaged, **make sure that the door was not deformed.**

If the appliance does not work, and **before** calling for service, check the power connection, the good closing of the door and the programming.

In any case, check the following points:

You see that ...	What to do ?
Time counts down but the appliance does not work (no turntable rotation / cavity light / food heating).	Check if the appliance was programmed in <i>Timer</i> mode.
The appliance is noisy and/or the turntable does not rotate correctly.	Clean the rollers and the roller path underneath the turntable. Check that the rollers are correctly positioned.
The door glass shows condensation.	Wipe the condensation off..
The appliance makes sparks.	Clean the appliance. Remove grease, food rests. Put metallic elements to a good distance from the cavity walls.
Smoke comes from the grill at cooking start. (according to model).	Remove any food rests from the heating element after it has cooled down.
The appliance does not start..	Check that - the door is correctly closed. - the mains supply is ok.
The appliance interferes with TV or radio.	In certain cases, a MW oven, as any other electric appliance such as mixers, vacuum cleaners, ventilators, can lead to interferences.

**WARNING : never try to repair yourself.**

It is dangerous for any untrained person to carry out maintenance or repair which needs removal of the appliance cover which protects from microwave energy.

**REPAIR**

Repair of the appliance must be carried out by authorized personnel. When calling for service, make sure you have all references at hand : you find those references on the rating plate (refere to the user guide for the place of the rating plate).

