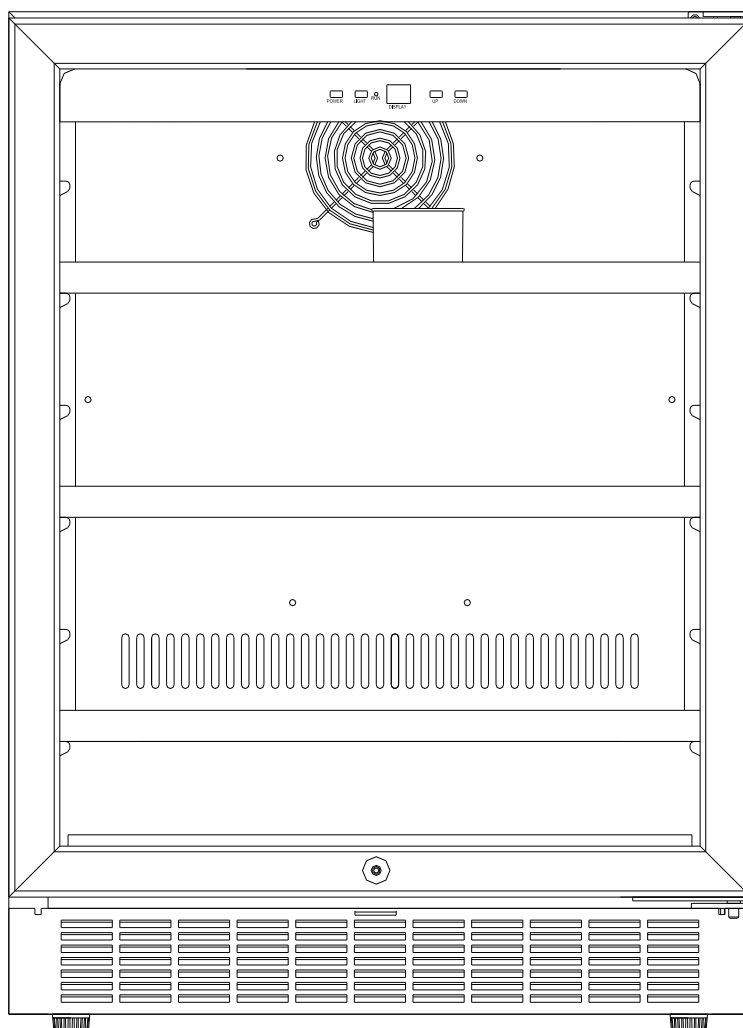


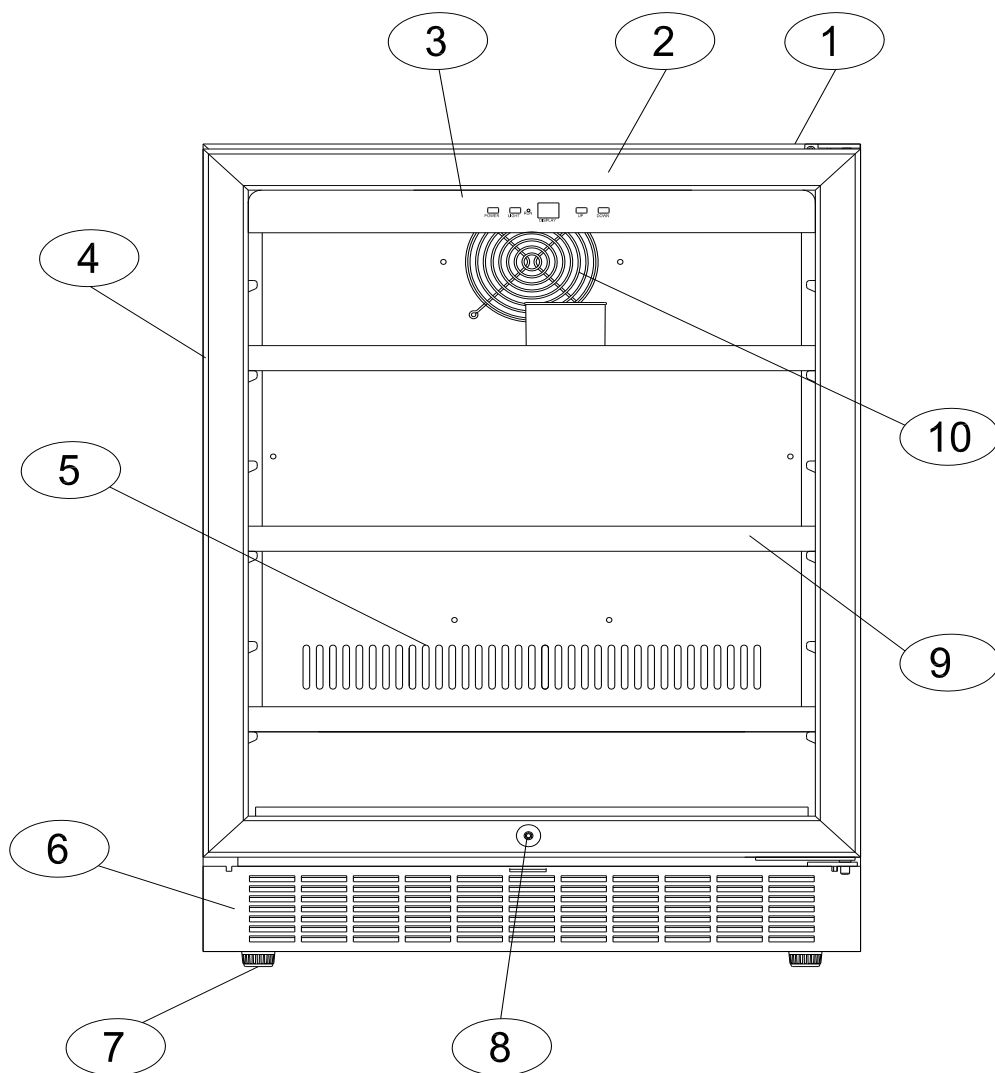
INSTRUCTION MANUAL

Model Number: CAV50X/CAV50B

Brandt



BEFORE USE, PLEASE READ AND FOLLOW ALL SAFETY RULES AND OPERATING INSTRUCTIONS.



1. CABINET
2. DOOR FRAME
3. DIGITAL CONTROL PANEL
4. HANDLE
5. AIR INLET
6. BOTTOM GRILLE (LOURVES)
7. LEVELING LEGS
8. SECURITY LOCK
9. SHELVES
10. AIR OUTLET

IMPORTANT SAFETY INSTRUCTIONS



To reduce the risk of fire, electrical shock, or injury when using your appliance, follow these basic precautions:

Read all instructions before using the Wine Cooler:

DANGER or WARNING:

Risk of child suffocation

Do not clean appliance parts with flammable fluids. The fumes can create fire hazard or explosion.

Do not store or use gasoline, flammable vapors and liquids in the vicinity of this or any other appliances, the fumes can create a fire hazard or explosion.

INSTALLATION INSTRUCTION

Before Using your Wine Cooler

Remove the exterior and interior packing.

Before connecting the Wine Cooler to the power source, let it stand upright and undisturbed for approximately 2 hours.

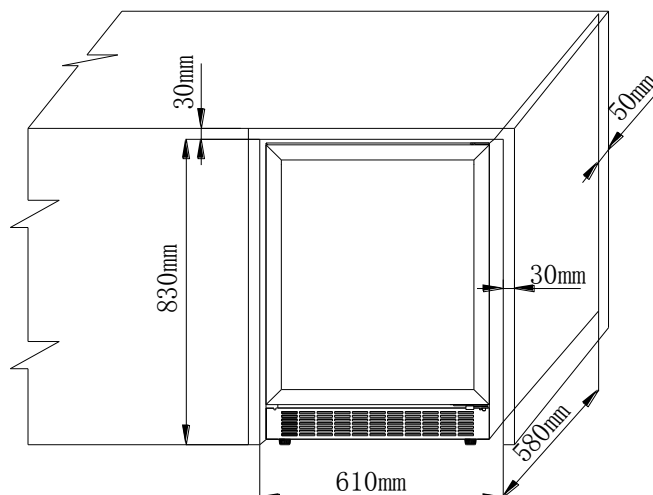
This will reduce the possibility of malfunction in the cooling system by allowing the coolant to settle after transportation.

Clean the interior surface with lukewarm water using a soft cloth. Install the handle on the left side of the door.

Installation of Your Wine Cooler

This appliance is designed for free standing installation or built-under (fully recessed). Leave gap of minimum 50mm at back of the wine cellar.

- Place your Wine Cooler on a floor that is strong enough to support it when it is fully loaded. To level your Wine Cooler, adjust the front leveling leg at the bottom of the Wine Cooler.
- Locate the Wine Cooler away from direct sunlight and sources of heat (stove, heater, radiator, etc.) Do not install it facing an oven or heat-emanating source.
- Direct sunlight may affect the acrylic coating and heat sources may increase electrical consumption.
- Extreme cold ambient temperature may also cause the unit not to perform properly,
- Avoid locating the unit in humid areas.
- Plug the Wine Cooler Into an exclusive, properly installed grounded wall outlet. Do not, under any circumstances cut or remove the third (ground) prong from the power cord. Any questions concerning power and/or grounding should be directed toward a certified electrician.



- Please provide a minimum of 30mm on the top and sides and 50mm at the back of the wine cellar

Note: Leave an additional 15mm gap for access to door handle if installed in a niche

Electrical Connection

Warning

Improper use of the grounded plug can result in the risk of electrical shock if the power cord is damaged; have it replaced by a certified electrician.

This appliance should be properly grounded for your safety. The power cord of this appliance is equipped with a three-pin plug which fit the standard three-pin wall outlets to minimize the possibility of electrical shock.

Plug the appliance into an exclusive properly installed-grounded wall outlet.

Do not, under any circumstances, cut or remove the third (ground) wire from the power cord. Any questions concerning power and / or grounding should be directed to a certified electrician.

The cord should be secured behind the appliance and not left exposed or dangling to prevent accidental injury.

Do not use an adapter plug with this appliance.

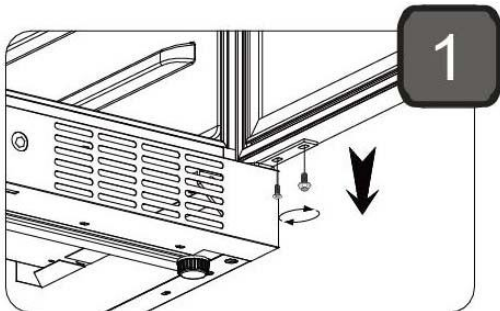
Do not use an extension cord with this appliance. If the power cord is too short, have a qualified electrician or service technician install an outlet near the appliance.

Reversing the door swing of your appliances

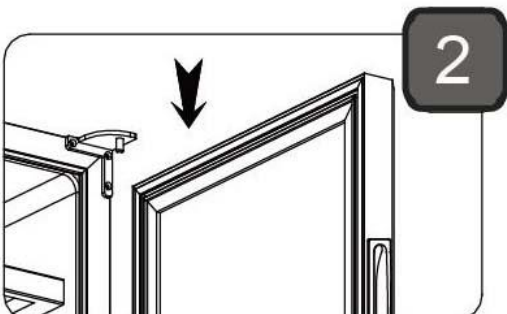
This appliance has the capability of the door opening from either the left or right side. The unit is delivered to you with the door opening from the left side. Should you desire to reverse the opening direction, please follow these instructions:

Note: All parts removed must be kept to do the reinstatement of door.

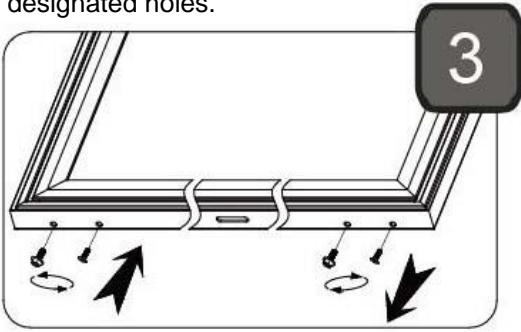
1. Open the glass door and remove the two screws under the right bottom corner of the glass door that are used to hold the lower hinge to the glass door. Be careful to hold the glass door with hands to prevent it from dropping after removing the screws.



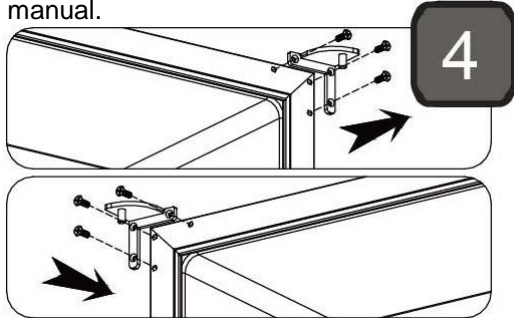
2. Pull down to remove the glass door and place it on a padded surface to prevent scratching it.



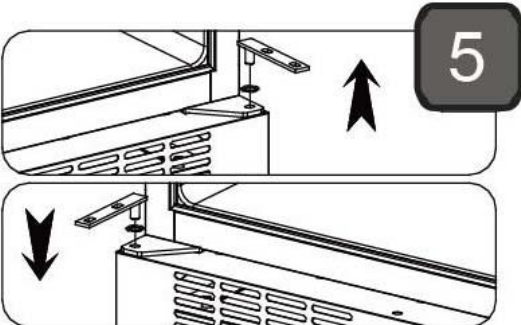
3. remove the two screws under the left lower corner of it. Then install and tighten them at the opposite designated holes.



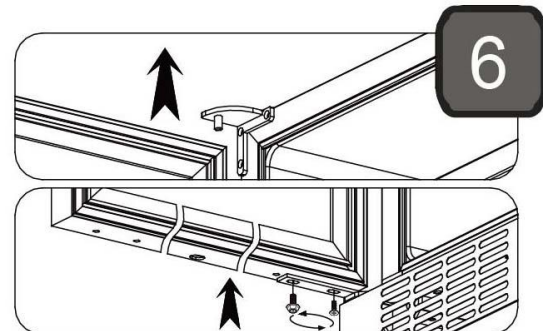
4. Remove the right upper hinge . Install the left upper hinge from the plastic bag that includes the instruction manual.



5. Remove the lower hinge supporter with the adjusting washer. Install the lower hinge supporter. Make sure to put the adjusting washers at the designated position.



6. Locate the glass door to the designated position making sure that the door shaft enters the door hole at the left upper corner of the glass door. Install the two screws that are used to connect the lower hinge with the glass door and tighten them before the door is leveled.



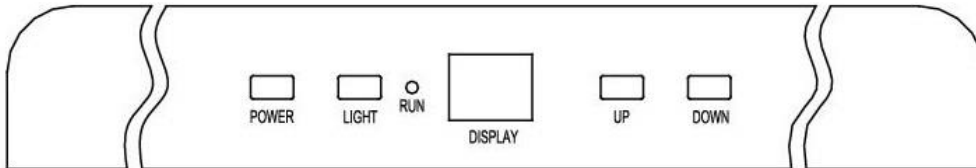
OPERATING YOUR WINE COOLER

It is recommended you install the wine cooler in a place where the ambient temperature is between 5-35°C. If the ambient temperature is above or below recommended temperatures, the performance of the unit may be affected. For example, placing your unit in extreme cold or warm conditions may cause interior temperatures to fluctuate. The range of 5-18°C variance may not be achieved.

Recommended Temperatures for storing wine

Red Wines:	14° C - 18°C
Dry/White Wines	9° C - 14°C
Sparkling Wines	5° C - 9°C

The above temperatures may vary depending on whether the interior bulb for lighting is ON or OFF or whether the bottles are located on the upper / middle or lower section.



POWER

To turn OFF the appliance, press the “ **POWER** ” switch to the ‘off’ position.

Setting the Temperature Control

You can set the temperature as you desire by pushing the **UP** or **DOWN** button. When you push the two buttons for the first time, the LED readout will show the original temperature set at previous time (the temperature preset at the factory is 12°C).

The temperature that you desire to set will increase 1 °C if you push the **UP** button once, on the contrary the temperature will decrease it if you push the **DOWN** button once.

When you store mostly red wines, the recommended temperature should be set between 14° C to 18° C.

When you store mostly white wines, the recommended temperature be set between 9° C and 14° C.

When you store mostly sparkling wines, the recommended temperature should be set between 5° C and 9° C.

NOTE:

If the unit is unplugged, power lost, or turned off, you must wait for 3 to 5 minutes before restarting the unit. If you attempt to restart before this time, the Wine Cooler will not start.

When you use the wine cooler for the first time or restart the wine cooler or after having been shut off for a long time. There could be a few degrees variance between the temperature you select and the one indicated on the LED readout. This is normal and it is due to the length of the activation time. Once the wine cooler is running for a few hours everything will be back to normal.

Interior Light

You can turn the interior light ON or OFF by pushing the “ **LIGHT** ” switch

CARE AND MAINTENANCE

Cleaning your Wine Cooler

Turn off the power, unplug the appliance, and remove all items including shelves and rack.

Wipe the inside surfaces with a warm water and baking soda solution. The solution should be about 2 tablespoons of baking soda to a quart of water.

Wipe the shelves and basket with a mild detergent solution.

Wring excess water out of the sponge or cloth when cleaning area of the controls, or any electrical parts.

Wipe the outside cabinet's exterior with warm water and mild liquid detergent. Rinse well and wipe dry with a clean soft cloth.

Power Failures

Most power failures are corrected within a few hours and should not affect the temperature of your appliance if you minimize the number of times the door is opened. If the power is going to be off for a longer period of time, you need to take the proper steps to protect your contents.

Vacation Time

Short vacations: Leave the Wine Cooler operating during vacations of less than three weeks.

Long vacations: If the appliance will not be used for several months, remove all items and turn off the appliance. Clean and dry the interior thoroughly. To prevent odor and mould growth, leave the door open.

Moving your Wine cooler

Remove all items.

Securely tape down all loose items (shelves) inside your appliance. Turn the adjustable leg up to the base to avoid damage,

Tape the door shut

Be sure the appliance stays secure in the upright position during transportation. Also protect outside of appliance with a blanket, or similar item.

Energy Saving Tips

The Wine Cooler should be located in the coolest area of the room, away from heat producing appliances and out of the direct sunlight

PROBLEMS WITH YOUR WINE COOLER

You can solve many common Wine Cooler problems easily, saving you the cost of a possible service call. Try the suggestions below to see if you can troubleshoot the problem before calling the servicer provider.

TROUBLESHOOTING GUIDE

PROBLEM	POSSIBLE CAUSE
Wine Chiller does not operate.	Not plugged in. The appliance is turned off. The circuit breaker tripped or a blown fuse.
Wine Chiller is not cold enough.	Check the temperature control setting. External environment may require a higher setting. The door is opened too often. The door is not closed completely. The door gasket does not seal properly.
Turns on and off frequently.	The room temperature is hotter than normal. A large amount of contents has been added to the wine chiller. The door is opened too often. The door is not closed completely. The temperature control is not set correctly. The door gasket does not seal properly.
The light does not work.	Not plugged in. The circuit breaker tripped or a blown fuse. The LED light has burned out. The light button is "OFF".
Vibrations.	Check to assure that the Wine Chiller is level.
The Wine Chiller seems to make too much noise.	The rattling noise may come from the flow of the refrigerant, which is normal. As each cycle ends, you may hear gurgling sounds caused by the flow of refrigerant in your Wine Chiller. Contraction and expansion of the inside walls may cause popping and crackling noises. The Wine Chiller is not level.
The door will not close properly.	The Wine Chiller is not level. The door was reversed and not properly installed. The gasket is dirty. The shelves are out of position.