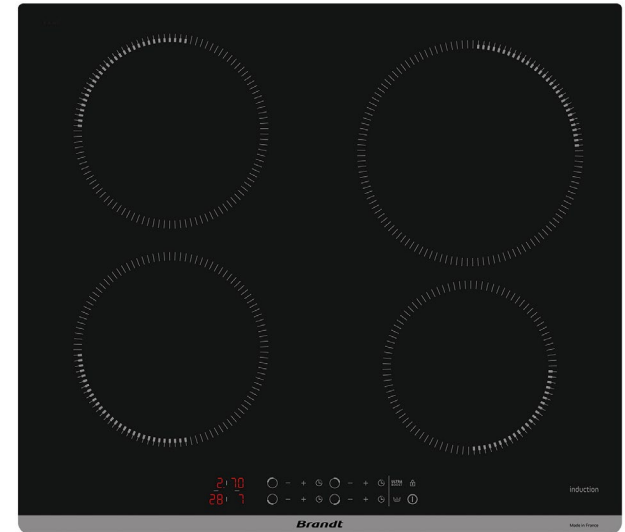


# 60CM 4 ZONE POWER MANAGEMENT INDUCTION HOB BPI1641PB

**Brandt**

## SPECIFICATIONS

- Vitroceramic glass
- Electronic touch sensitive controls
- 14 power levels + Ultraboost
- Power management technology –
  - ❖ Designed to accommodate low to high power consumption.
- Boil function
- Quick access
- 99 minutes cooking timer:
- Pack 10 Safety features:
  - ❖ Residual heat indicator / Small object safety / Anti overflow
  - ❖ Autostop® system / Keypad lock /
  - ❖ Automatic saucepan detection / Temperature limiter,
  - ❖ Low voltage, Connection error, Over Tension



Cooking Zones	#1	#2	#3	#4
Position of zone	Front left	Rear left	Front right	Rear right
Size of zone (mm)	180	180	160	210
Power (W)	3600	3600	2500	3600

**60CM 4 ZONE POWER MANAGEMENT  
INDUCTION HOB  
BPI1641PB**

***Brandt***

**ELECTRICAL CONNECTIONS**

- Maximum electric power (W): 3000 - 7400
- Current (A): 13 - 32
- Voltage (V): 220 - 240
- Frequency (Hz): 50 - 60
- Length of power supply cord (cm): 130
- Plug type: Without

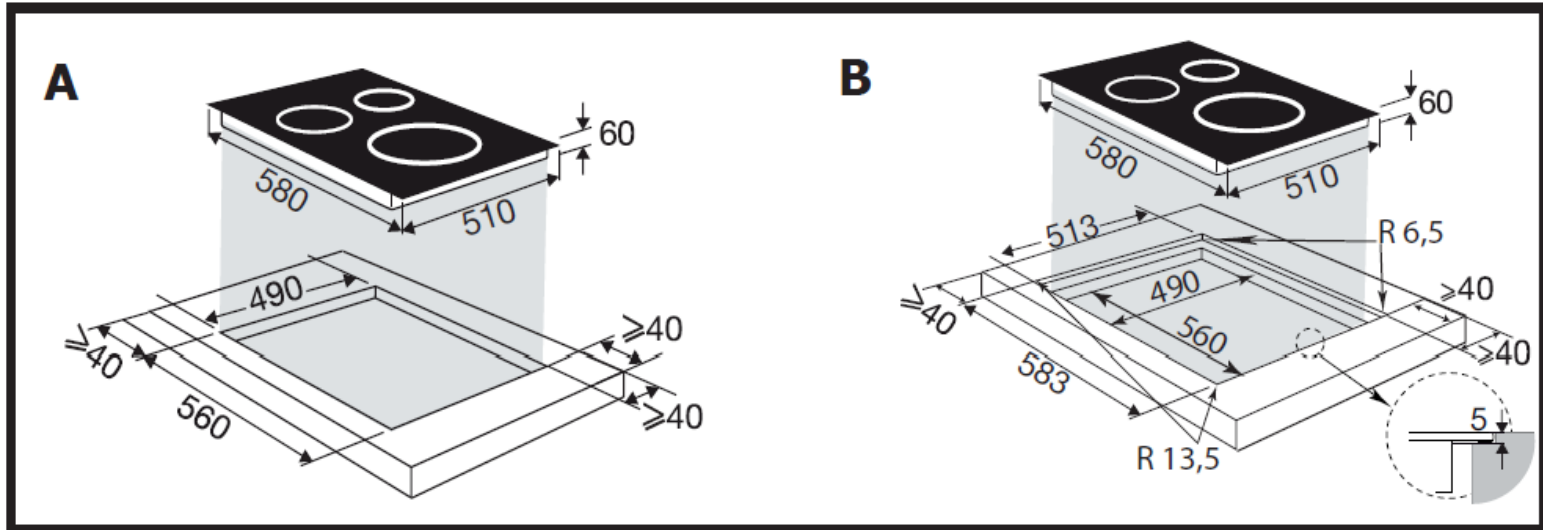
**DIMENSIONS**

- Dimension of product (mm): H60 x W580 x D510
- Built in dimensions (mm): W560 x D490
- Dimension of product (mm): H140 x W750 x D600
- Net weight (kg): 10.12
- Gross weight (kg): 10.8

**60CM 4 ZONE POWER MANAGEMENT  
INDUCTION HOB  
BPI1641PB**

**Brandt**

**INSTALLATION DIAGRAM**



Fitting into the worktop

Fitting flush with the worktop

